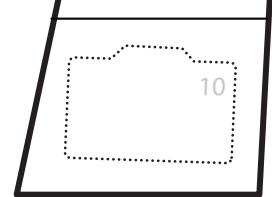
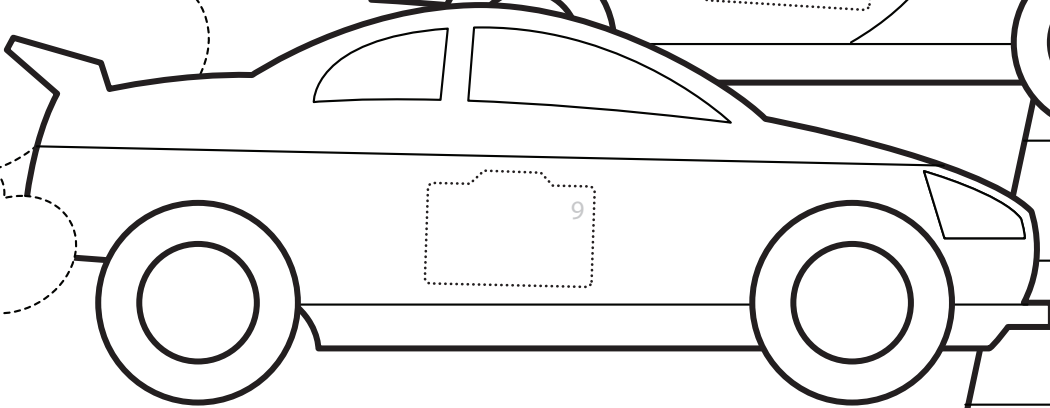
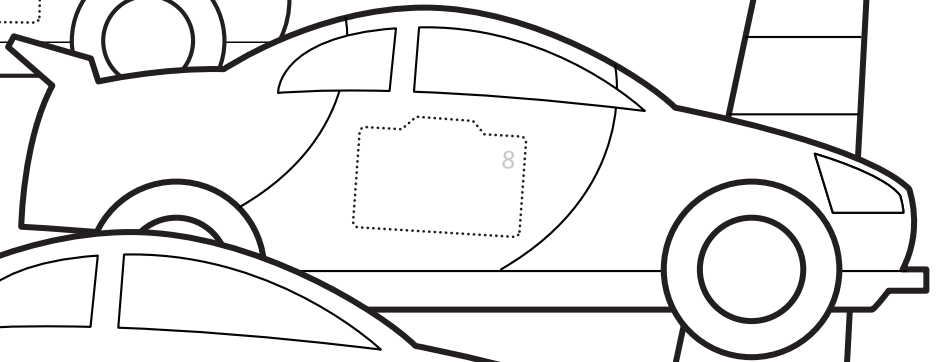
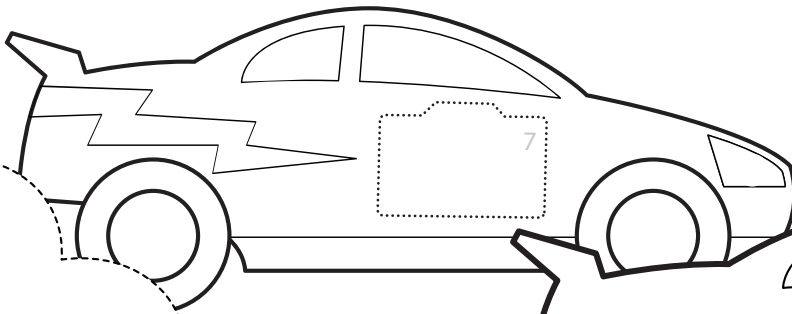
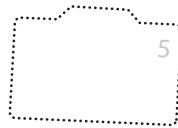
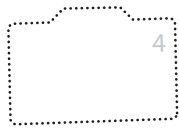
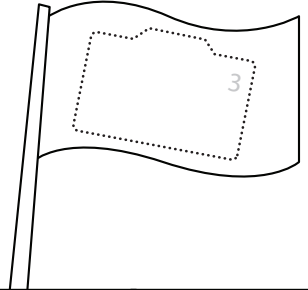
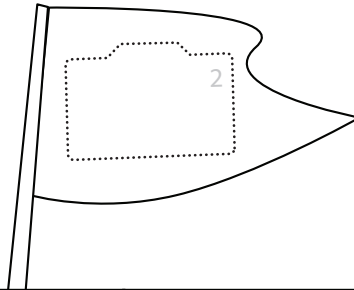
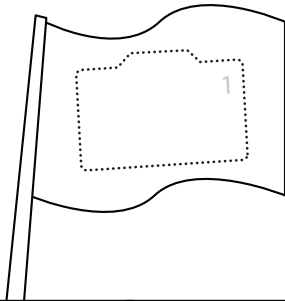




It's a race! Fill this sheet with Box Tops and be the first to cross the finish line.



FINISH

Name _____

Grade _____

Teacher's Name _____

Thank you for helping! Every Box Top you collect is worth 10¢ for your school.
For more collection worksheets and projects, go to www.boxtops4education.com/activitycenter